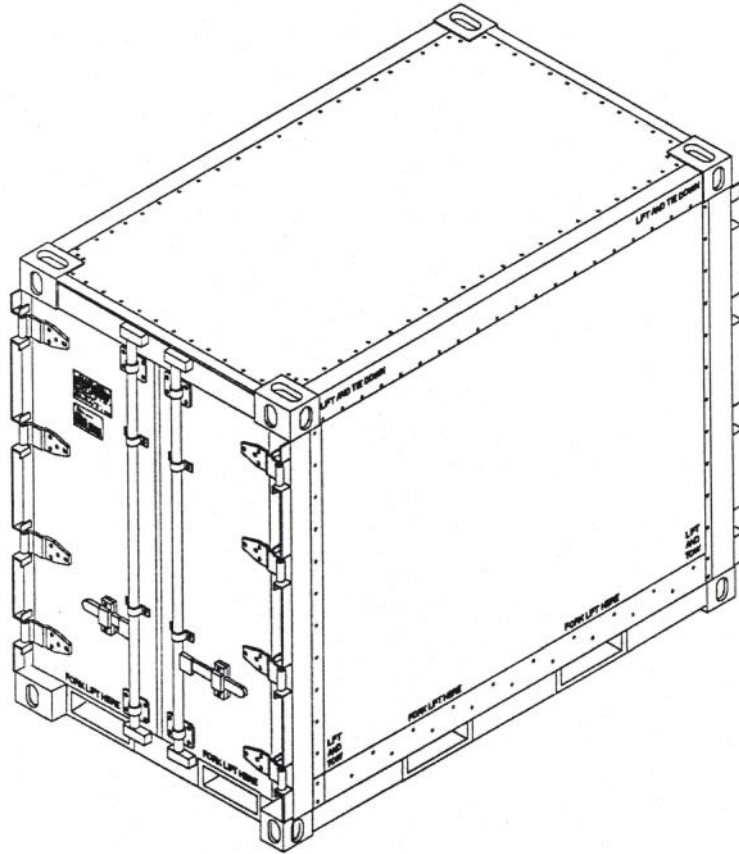


**TECHNICAL MANUAL**

**INSTALLATION, MAINTENANCE,  
AND  
ILLUSTRATED REPAIR PARTS LIST**



**CONTAINER, QUADRUPLE  
(QUADCON)**

	<b>PART NUMBER</b>	<b>NSN</b>
<b>CONTAINER</b>	(94833) 138K0000	8115-01-354-0797
<b>RACK</b>	(94833) 138K0060	7125-01-381-5369
<b>RIGID CONNECTING LINK</b>	(94658) CTC-1012-23-1	3040-01-387-4048

CHAPTER/

<b>INTRODUCTION</b>	<b>1</b>
<b>PREPARATION FOR USE AND INSTALLATION INSTRUCTIONS</b>	<b>2</b>
<b>MAINTENANCE INSTRUCTIONS</b>	<b>3</b>
<b>PREPARATION FOR RESHIPMENT / STORAGE</b>	<b>4</b>
<b>ILLUSTRATED REPAIR PARTS LIST</b>	<b>5</b>
<b>INDEX</b>	<b>I</b>

**Kēco**

**INDUSTRIES, INC. FLORENCE, KENTUCKY**

**AUGUST 1993  
PCN 18408958000**



Keco Industries, Inc.  
 7375 Industrial Road  
 Florence, Kentucky 41042-2911

**INSTALLATION, MAINTENANCE,  
 AND ILLUSTRATED REPAIR PARTS LIST**

FOR

CONTAINER, QUADRUPLE  
 (QUADCON)

PART NUMBER

CONTAINER	138K0000
RACK	138K0060
RIGID CONNECTING LINK	(94658) CTC-1012-23-1

**TABLE OF CONTENTS**

			Page
CHAPTER	1.	INTRODUCTION.....	1-1
	Section I	General Information.....	1-1
	Section II	Equipment Description.....	1-1
	Section III	Safety Precautions.....	1-3
CHAPTER	2.	PREPARATION FOR USE AND INSTALLATION INSTRUCTIONS.....	2-1
	Section I	Service Upon Receipt .....	2-1
CHAPTER	3.	MAINTENANCE INSTRUCTIONS .....	3-1
	Section I	Preventive Maintenance Checks and Services.....	3-1
	Section II	Maintenance Procedures QUADCON Container .....	3-3
	Section III	Maintenance Procedures QUADCON Rack.....	3-7
CHAPTER	4.	PREPARATION FOR RESHIPMENT/STORAGE .....	4-1
CHAPTER	5.	ILLUSTRATED REPAIR PARTS LIST .....	5-1
	Section I	Introduction .....	5-1
	Section II	Repair Parts List with Illustrated Parts Breakdown.....	5-3
INDEX	I	.....	Index-1

LIST OF FIGURES

	Figure No.	Page No.
Container Connection View 1 .....	2-1	2-2
Container Connection View 2 .....	2-2	2-3
Container Connection View 3 .....	2-3	2-3
Container Connection View 4 .....	2-4	2-4
Marking .....	2-5	2-5
Doors .....	3-1	3-5
Panel Installation .....	3-2	3-6
Rack Beams .....	3-3	3-8
Rack Half .....	3-4	3-9
Rack Half to Rack Half Assembly .....	3-5	3-10
Rack Installation .....	3-6	3-10
Quadruple Container (QUADCON) .....	5-1	5-3
Doors .....	5-2	5-4
Panels .....	5-3	5-6
Rack .....	5-4	5-8
Rack Beams .....	5-5	5-10
Rigid Connecting Link .....	5-6	5-12

LIST OF TABLES

	Table No.	Page No.
General Preventive Maintenance Checks and Services (PMCS) .....	3-1	3-2

## CHAPTER 1 INTRODUCTION

### Section I GENERAL INFORMATION

#### 1-1. SCOPE

- a. Type of Manual. This manual contains information for installation and maintenance, and an illustrated repair parts list for selection of replacement parts.
- b. Model Number. Keco Industries, Inc. model name QUADCON.
- c. Equipment Description. The quadruple containers (QUADCON) are intended for use by the Fleet Marine Force to house and support the storage and movement of organizational property and consumable supplies in the field and in garrison.
- d. Purpose and Function of Equipment. The quadruple containers (QUADCON) are designed to be shipped in sets of four in the configuration of an International Organization for Standardization (ISO) 20 foot container. When the QUADCON is used in its optional bin/drawer configuration, a container rack which provides support for 30 insert containers is required.

### Section II EQUIPMENT DESCRIPTION

#### 1-2. CAPABILITIES AND FEATURES

- a. The QUADCON is a weatherproof, flame retardant, dimensionally standard, reusable cargo container for the transport and storage of organizational property and dry cargo supplies.
- b. It has doors on the two sides.
- c. The QUADCON has a four way forklift entry.
- d. It has an optional shelf and bin configuration (rack) to accommodate 30 Container Inserts or 60 Half Length Inserts.
- e. The corner fittings are provided to facilitate handling and restraint as well as coupling to form arrays of two or four for efficient handling and transport.

#### 1-3. LOCATION AND DESCRIPTION OF MAJOR COMPONENTS

1. QUADCON - Quadruple Container.
2. RIGID CONNECTING LINK - Corner Coupling.
3. QUADCON Rack - Container Rack (optional).

**1-4. WARRANTY**

Keco products are guaranteed against defective workmanship for a period of one year from date of shipment when properly installed and operated. Defective material returned to our factory, transportation charges prepaid, will be replaced or repaired without charge if found defective within the guarantee period. Our warranty does not include any labor or other charges made outside our factory.

**1-5. DIFFERENCES BETWEEN MODELS**

There are no model differences in effect on the Keco Industries, Inc. (QUADCON) quadruple container.

**1-6. PERFORMANCE DATA**

OVERALL DIMENSIONS

HEIGHT	82.00 in. (2.08 m)
WIDTH	96.00 in. (2.44 m)
LENGTH	57.50 in. (1.46 m)

DOOR OPENING

HEIGHT	70.25 in. (1.78 m)
WIDTH	53.00 in. (1.35 m)

PAYLOAD WEIGHT

MAXIMUM	8200 lb. (3719.5 kg)
---------	----------------------

TARE WEIGHT

1800 lb. (816.5 kg)

INTERIOR VOLUME

221.1 cubic ft. (6.26 cubic m)

**1-7. LIST OF ITEMS FURNISHED**

ITEM	PART NUMBER
Container, Quadruple (QUADCON)	138K0000
Rigid Connecting Link (QUADCON)	(94658) CTC-1012-23-1
Optional:	
Container Rack, Quadruple (QUADCON Rack)	138K0060

**1-8. LIST OF ITEMS REQUIRED**

Two or four containers to be connected by the supplied connectors.

**1-9. TOOLS AND TEST EQUIPMENT**

See paragraph 3-6 for special tools. All other tools required are standard issue.

## Section III SAFETY PRECAUTIONS

**1-10. GENERAL**

- a. Read and understand all instructions in this manual relating to the specific function you are to perform prior to starting task.
- b. Carefully read and understand all notes, cautions, and warnings contained in this manual that pertain to the task you are to perform.
- c. Never move the container with any door removed or open.

**1-11. WARNINGS**

The following is a condensed list of WARNINGS that are noted throughout this manual. All personnel who service and maintain this container should read and understand these WARNINGS.

**WARNING**

Do not allow the unit to swing while suspended from a lifting device. Failure to observe this warning may result in injury to personnel and damage to the equipment.

Many of the products in auto body repair kits contain toxic chemicals. Read all labels and instructions before opening containers. Take care that they are properly stored. Use them only as instructions direct. Dispose of unused material in accordance with local laws and regulations.

- Wear eye protection (full face shield or goggles) when using power tools or any operation that involves removal of any type of material.
- Wear lung protection (disposable mask or respirator) when grinding, sanding or painting.





## CHAPTER 2

### PREPARATION FOR USE AND INSTALLATION INSTRUCTIONS

#### Section I SERVICE UPON RECEIPT

##### 2-1. UNLOADING

The Quadruple Container (QUADCON) is designed for shipment and handling in an upright position. The base of the container is constructed as a shipping pallet with provisions for the insertion of fork tongs on materials handling equipment.

- a. Remove all blocking and tie downs that may have been used to secure the container to the carrier.
- b. Use a forklift truck or other suitable material handling equipment to remove the unit from the carrier.

##### WARNING

Do not allow the unit to swing while suspended from a lifting device. Failure to observe this warning may result in injury to personnel and damage to the equipment.

Use care in handling to avoid damage to the container. If an overhead lifting device must be used, use an appropriate sling.

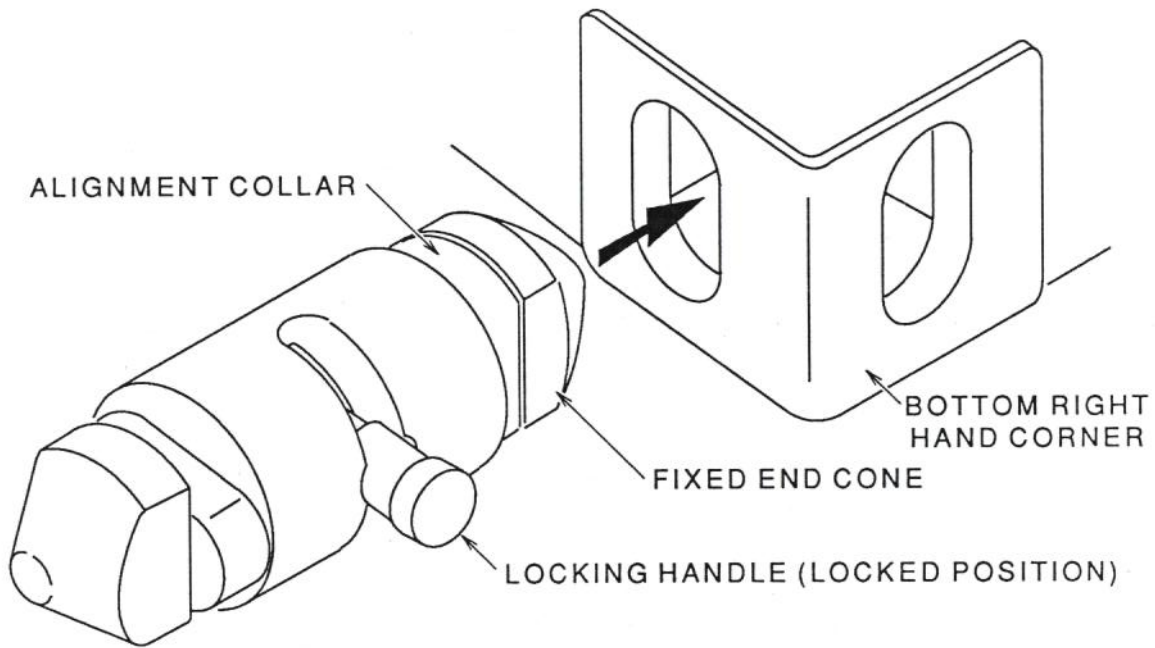
##### 2-2. RECEIVING INSPECTION

Perform receiving inspection of the container in the following manner.

- a. Inspect the container for damage incurred during shipment. If the equipment has been damaged, report damage to appropriate authority.
- b. Check the container against the packing slip to see if the shipment is complete. Report all discrepancies to appropriate authority.

**2-3. CONNECTING CONTAINERS**

- a. Align two (or four) containers (all doors exposed) next to each other with approximately a 3 inch gap between corners.



**Figure 2-1. Container Connection View 1**

- b. Position moveable alignment collar in same orientation as fixed end cone as shown in figure 2-1.

**NOTE**

Fixed end cone has threaded shaft exposed on pinnacle of cone.

- c. Align connector with I.S.O. opening. Locking handle to be perpendicular (90°) to the side of the container when locking handle is in the locked position as shown in figure 2-2.
- d. Insert connector into I.S.O. opening.

2-3. CONNECTING CONTAINERS - continued

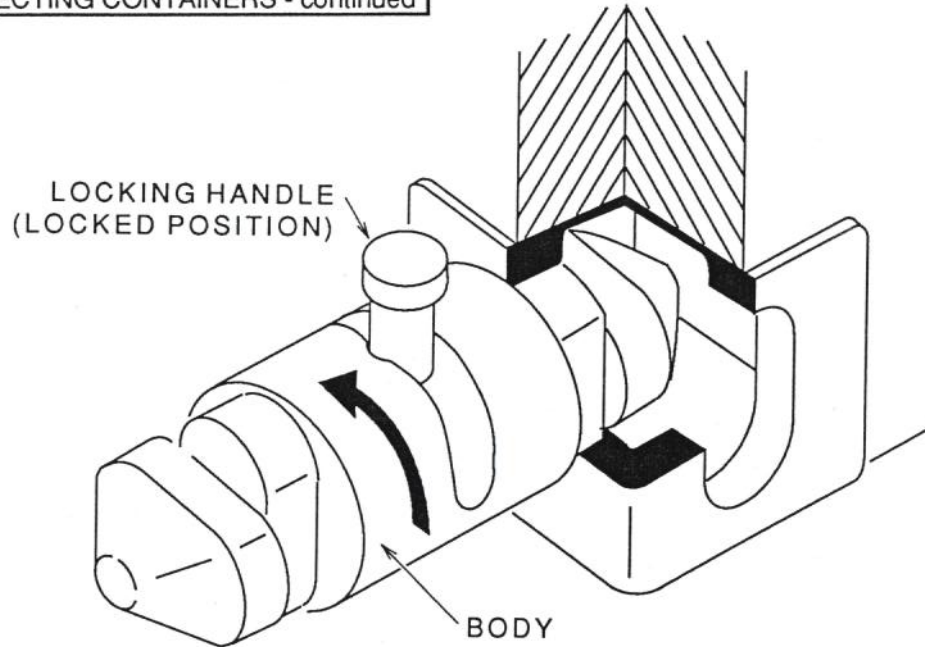


Figure 2-2. Container Connection View 2

e. Rotate body 90 degrees so locking handle, in its locked position, is in the upright position as shown in figure 2-3.

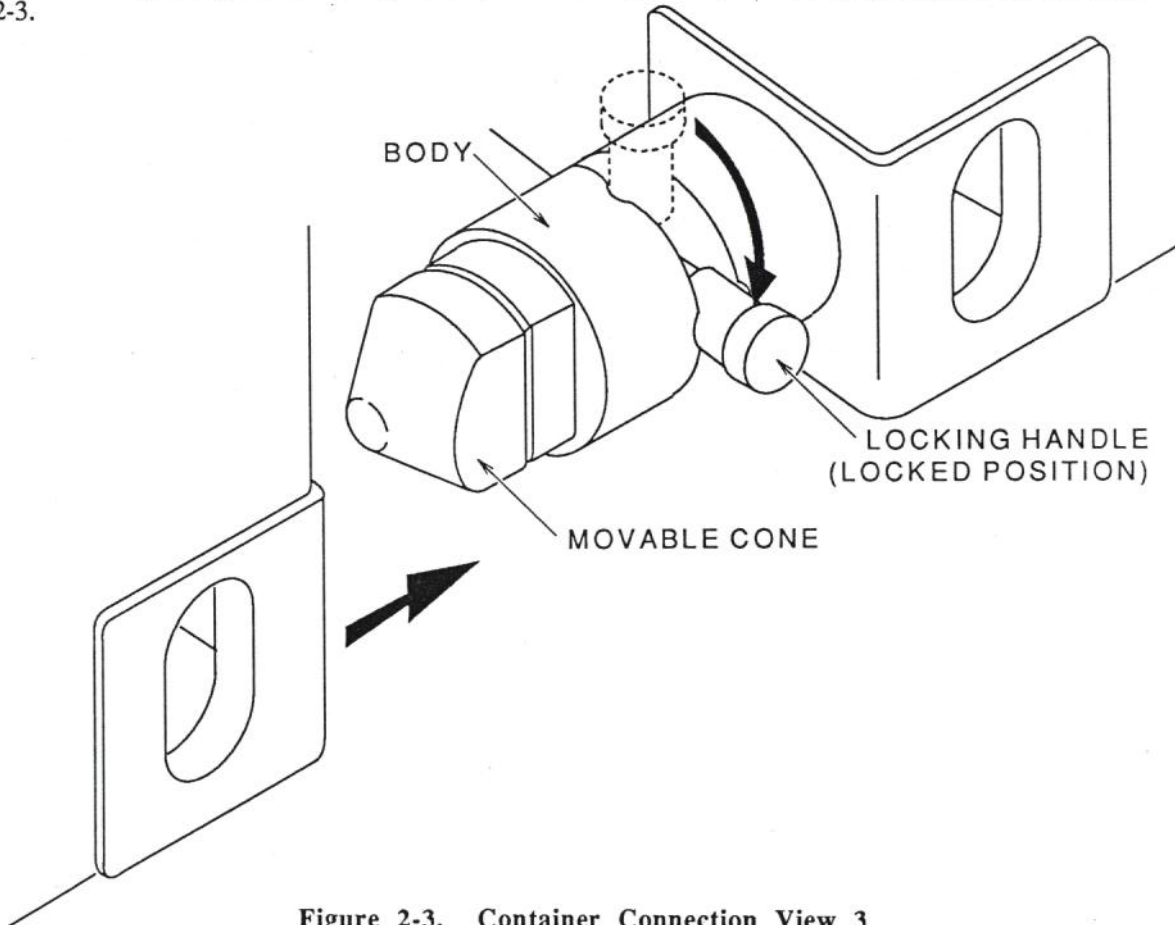
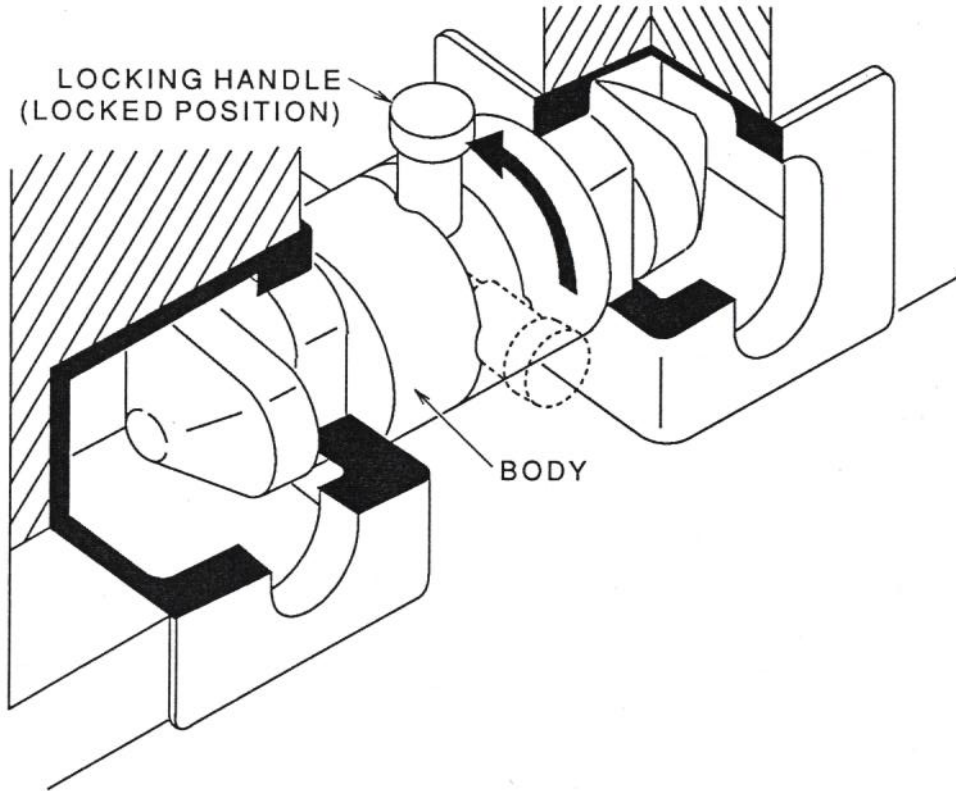


Figure 2-3. Container Connection View 3

**2-3. CONNECTING CONTAINERS - continued**

- f. Pull locking handle out and rotate locking handle 90 degrees to the outside of container. Connector is now ready to accept mating container.
- g. Steps a. through f. should be repeated on remaining three corners to be connected to mating container.
- h. Slide mating container onto moveable cone of the connectors so it is flush against the surface of the bodies as shown in figure 2-4.



**Figure 2-4. Container Connection View 4**

- i. Rotate locking handle 90 degrees into the upright position. Release handle into body on all four connectors to secure container.
- j. Reverse this procedure to disengage connectors.

**2-4. MARKING**

See figure 2-5.

2-4. MARKING - continued

<b>CSC SAFETY APPROVAL</b>		REINSPECTION SHALL BE BEFORE /
USA/MC/93/164		
DATE MANUFACTURED	/	
IDENTIFICATION NO.	/	
MAXIMUM GROSS WEIGHT	4,536 kg	10,000 LBS.
ALLOW. STACK. WT. 1.8 G.	101,605 kg	224,000 LBS.
RACKING TEST LOAD VALUE	15,241 kg	33,600 LBS.
	APPLY REINSPECTION DECAL HERE	

<b>Koo</b> INDUSTRIES, INC. FLORENCE, KENTUCKY	
NOMENCLATURE	
CONTAINER, QUADRUPLE	
MODEL	SERIAL NO.
QUADCON 138K0000	
NATIONAL STOCK NO.	CONTRACT NO.
	M67854-91-C-0005
TARE WEIGHT	
	138K 0003
U.S.	

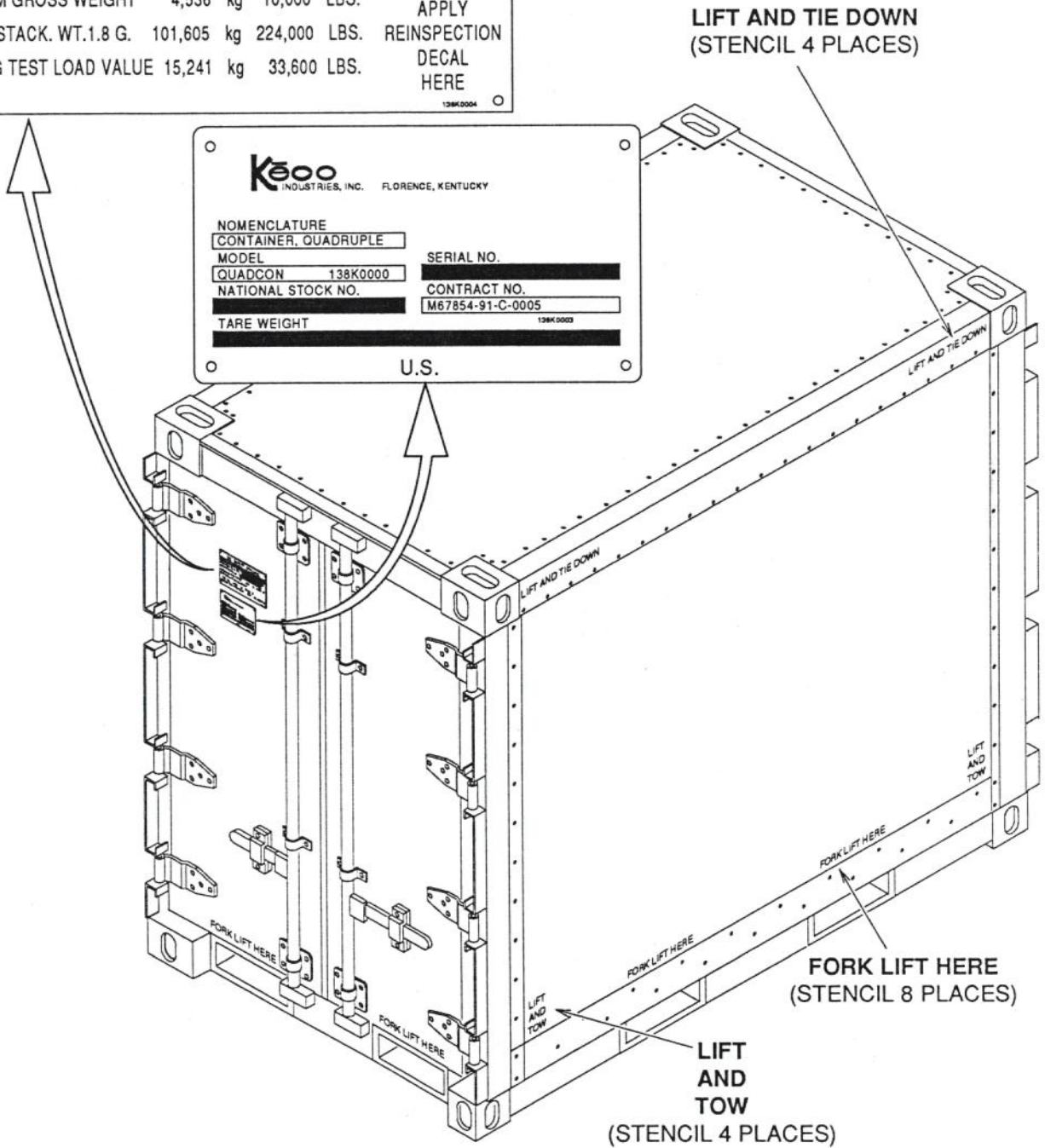


Figure 2-5. Marking

